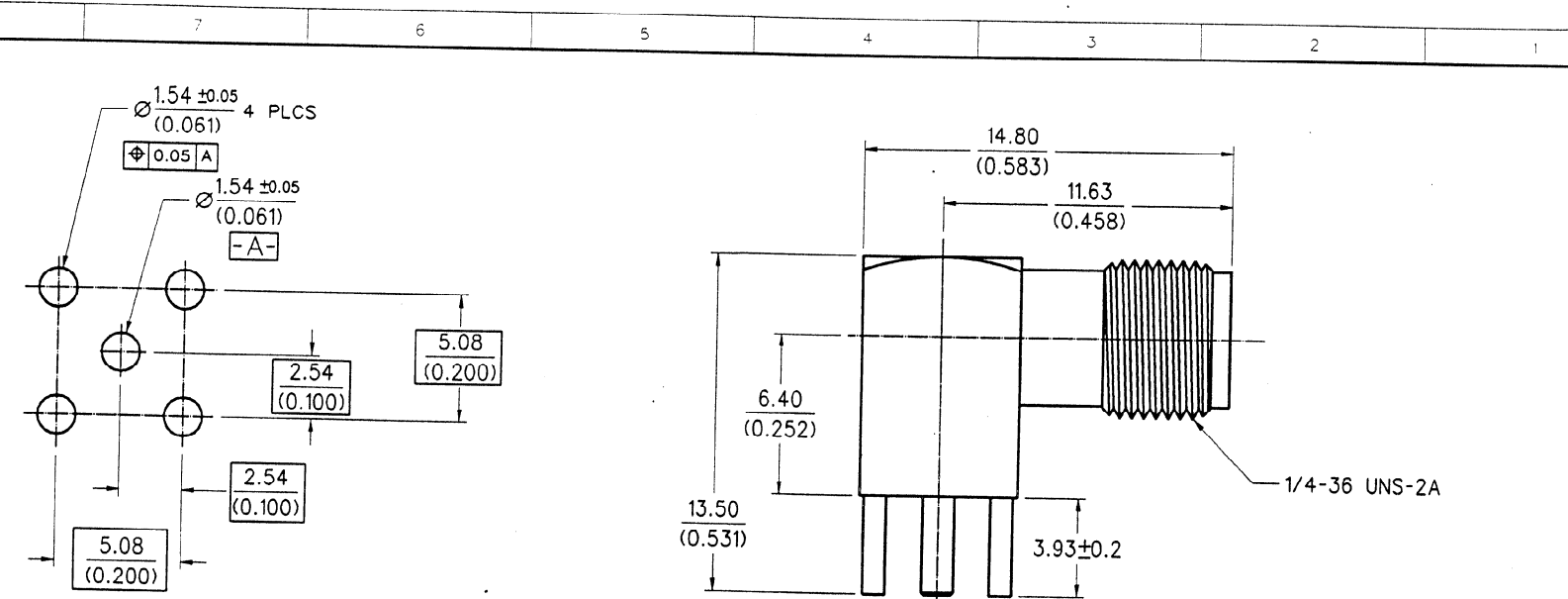


CADFILE NO. S1000115.DGN
 SIMILAR ITEM 73100-0114
 EDP NO.
 ENG. NO. SDA-73100-0115
 DO NOT SCALE DRAWING

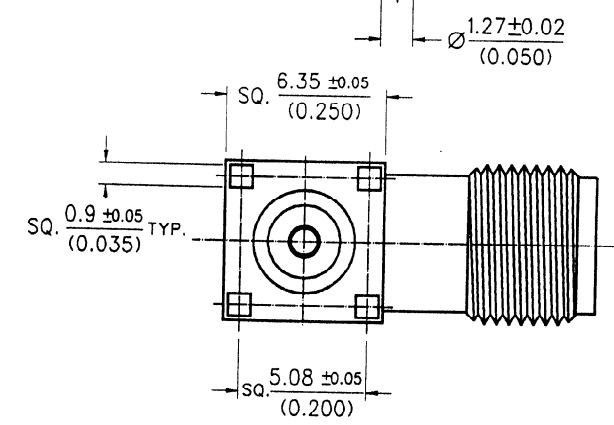


RECOMMENDED MOUNTING HOLE

CONSTRUCTION :
 CONNECTOR BODY-- BRASS
 DIELECTRICS----- TEFLON
 PCB CENTER----- BRASS
 SMA CENTER CONTACT--- BERYLLIUM COPPER

FINISH :
 CONNECTOR BODY-- NICKEL PLATING
 CENTER CONTACTS- GOLD PLATING

- ⚠ **MECHANICAL & FINISHES CHARACTERISTICS:**
 PER PRODUCT SPECIFICATION PS-73598-0111
 EXCEPTION: FREQUENCY RANGE ---DC 2.2 GHZ
 - ⚠ **MECHANICAL & FINISHES CHARACTERISTICS:**
 PER PRODUCT SPECIFICATION PS-73598-0111
- PACKAGING : TRAY**



MATERIAL : SEE NOTES		MOLEX TAIWAN LTD. (R.F. DIVISION)
FINISH : SEE NOTES		
SCALE : 5:1	UNIT : mm(INCH)	GENERAL TOLERANCES ANGLE : ± 3° DIM. ± 0.25 (± 0.01)
DRAWN BY : <i>[Signature]</i> 93/10/15 THOMPSON TSM		DRW. NO. : SDA-73100-0115
CHK'D BY : <i>[Signature]</i> 95/09/23		REV B
LTR REVISION RECORD	ECN DR DATE	TITLE : SMA JACK R/A PCB RECEPTACLE
STANDARD ITEM <input type="checkbox"/> YES <input checked="" type="checkbox"/> NO		SHEET 1 OF 1

SMA-J/PCB/RA